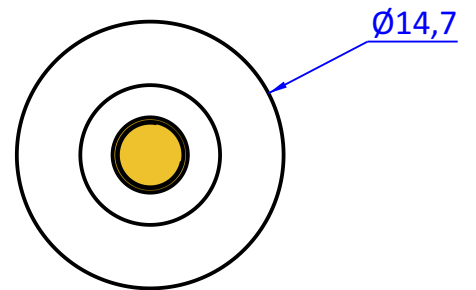
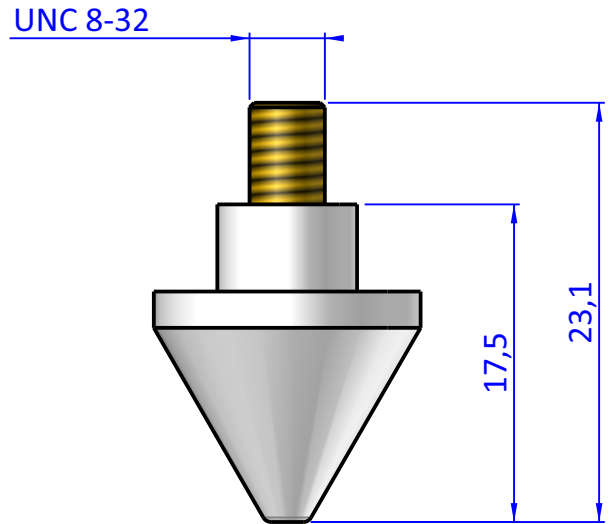
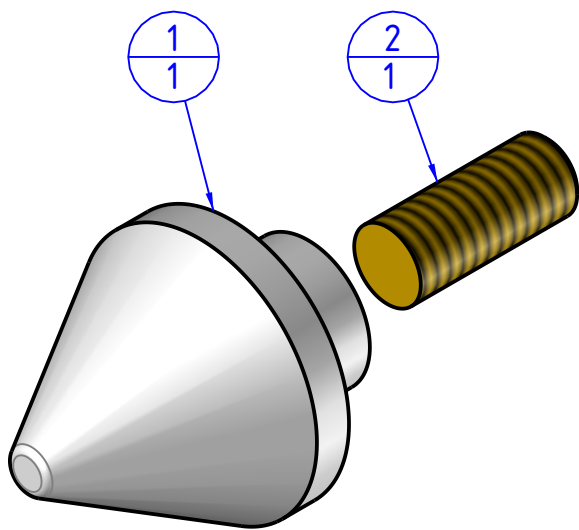
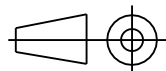


Item	Name	Q.ty
1	09.16.001	1
2	09.16.001.01	1



THE PROPERTY OF THE DRAWING IS ESTABLISHED BY LAW. IT IS FORBIDDEN TO PRODUCE OR SHOW IT TO THIRD PART. WITHOUT A WRITTEN AGREEMENT.



DESIGNED FROM FPS Automation	REVIEW A
--	--------------------

DATE 21/04/2023	WEIGHT 0,003kg
---------------------------	--------------------------

CODE CA.09.16.001

Format **A4**
UNI 936-76

GENERAL TOLERANCE
UNI - ISO 2768
CLASSE **f**

DESCRIPTION
CA.09.16.001